

LPxxxx\_DARCY-4x1-WHT-SOLDER-CLIP-PCB\_Mechanics  
**COMPONENTS**

INDEX	PART	TYPE	COUNT
1	L20742_DARCY-4X1-SHD-WHT_001_MechanicalModel_001	SHD	1
2	Mechanical-LENS_Tina-Y-LENS	LENS	4

LP-CODE	LENS PART	COUNT	INDEX	SHD PART	COUNT	INDEX
LP20743_DARCY-4x1-RS-WHT	C18095_TINA-Y-RS	4	2	L20742_DARCY-4X1-SHD-WHT	1	1
LP20744_DARCY-4x1-SS-WHT	C18096_TINA-Y-SS	4	2			
LP20745_DARCY-4x1-M-WHT	C18097_TINA-Y-M	4	2			
LP20746_DARCY-4x1-W-WHT	C18098_TINA-Y-W	4	2			
LP20747_DARCY-4x1-WW-WHT	C18099_TINA-Y-WW	4	2			
LP20947_DARCY-4X1-WWW-WHT	C19887_TINA-Y-WWW	4	2			
LP20748_DARCY-4x1-O-WHT	C18100_TINA-Y-O	4	2			

**Notes**

- PCB or heatsink level.
- LED location
- Ensure LED fitting from a product specific 3D model available from [www.ledil.com](http://www.ledil.com)
- For more details about installation please see LEDiL Installation Guide on [www.ledil.com](http://www.ledil.com)

**MECHANICAL DRAWING**

PRODUCT **DARCY-4x1**

Plastic moulding general tolerances according to DIN 16901-130 and applies if not otherwise shown in the drawing. Silicone moulding general tolerances according to ISO 3302-1 Class M3 and applies if not otherwise shown in the drawing.

**FIRST ANGLE PROJECTION:**

SCALE **1:1**      WEIGHT **-**

**LEDiL**

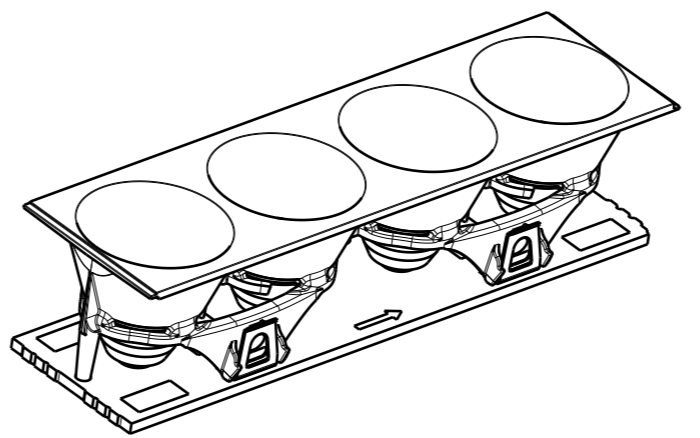
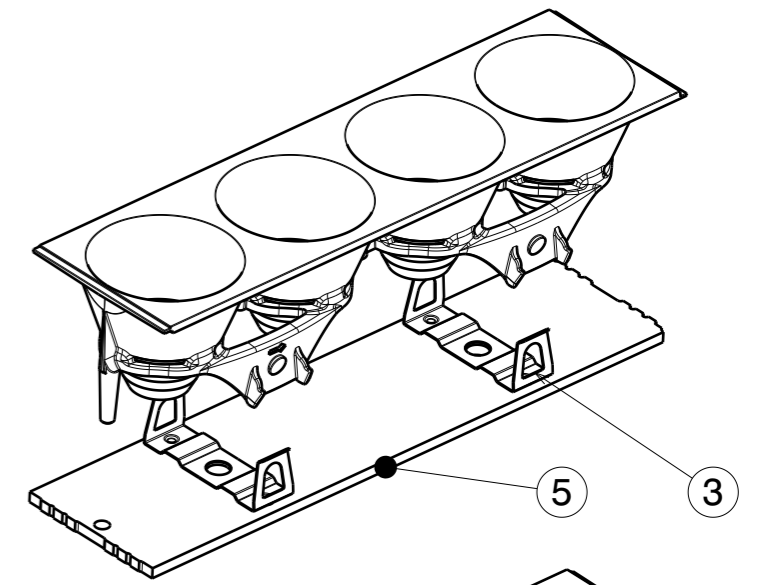
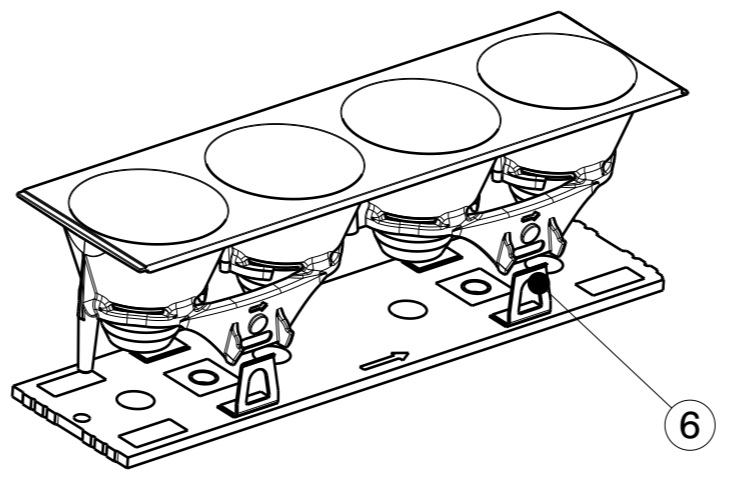
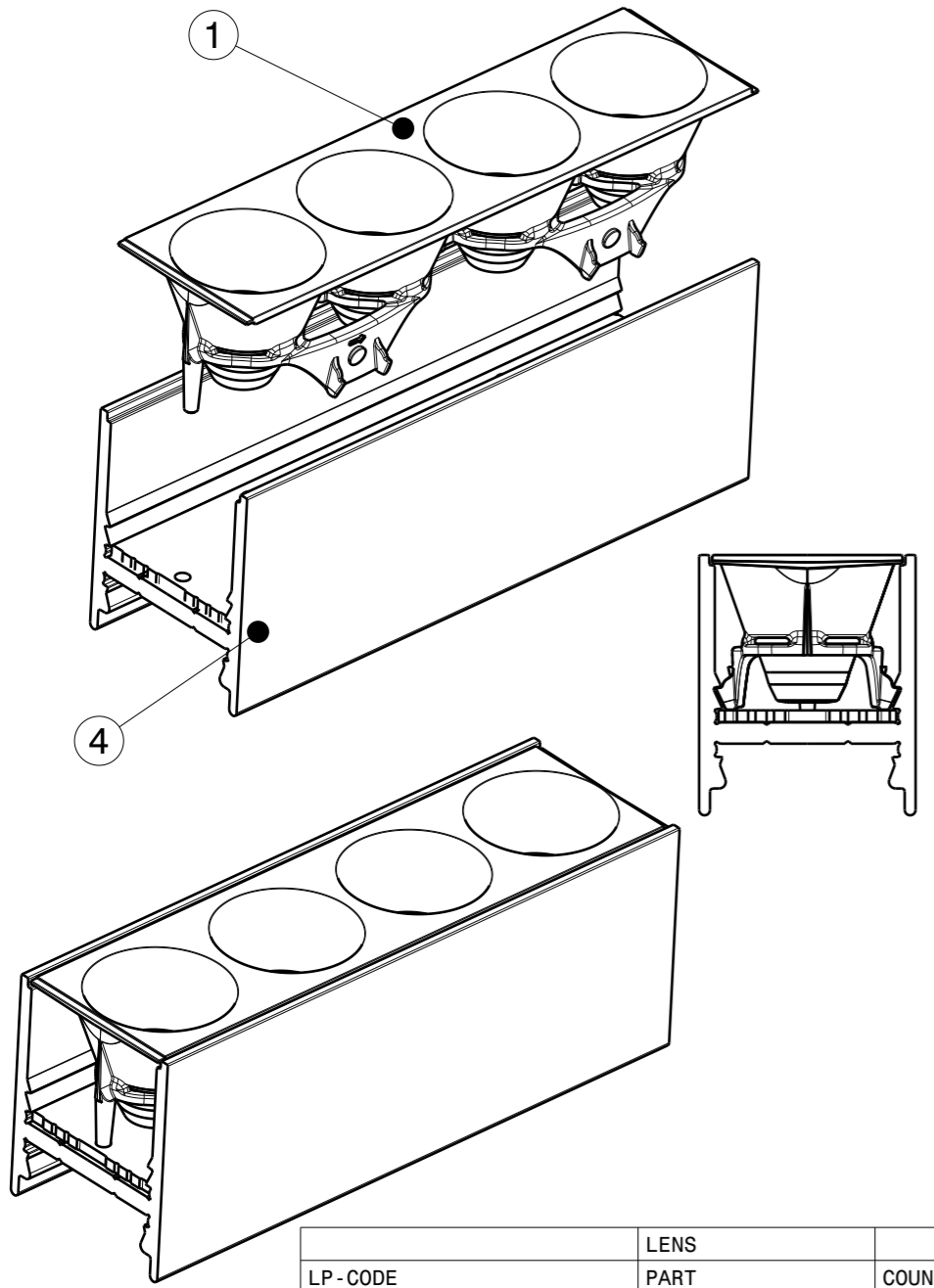
This drawing is the property of LEDiL Oy. It may not be copied or otherwise distributed without prior written permission from LEDiL Oy.

A3      SHEET 1/1

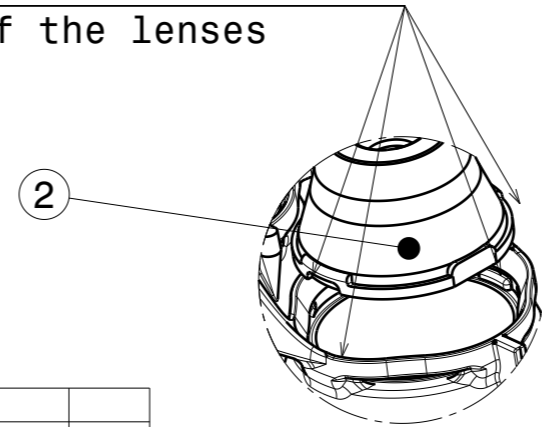
LENS assembly TO PROFILE

Assembly: SOLDER-CLIP-2

Assembly: DARCY-CLIP



Assembly direction features  
Both side of the lenses



DARCY-4x1-WHT  
COMPONENTS

INDEX	PART	TYPE	COUNT
1	L20742_DARCY-4X1-SHD-WHT_001_MechanicalModel_001	SHD	1
2	Mechanical-LENS_Tina-Y-LENS	LENS	4
3	C19691_DARCY-CLIP_	CLIP	2
4	C19690_DARCY-PROFILE_	PROFILE	1
5	DARCY-PCB_	PCB	1
6	C18696_SOLDER-CLIP-2	CLIP	4

LENS				SHD		
LP-CODE	PART	COUNT	INDEX	PART	COUNT	INDEX
LP20743_DARCY-4x1-RS-WHT	C18095_TINA-Y-RS	4	2	L20742_DARCY-4X1-SHD-WHT	1	1
LP20744_DARCY-4X1-SS-WHT	C18096_TINA-Y-SS	4	2			
LP20745_DARCY-4X1-M-WHT	C18097_TINA-Y-M	4	2			
LP20746_DARCY-4X1-W-WHT	C18098_TINA-Y-W	4	2			
LP20747_DARCY-4X1-VW-WHT	C18099_TINA-Y-VW	4	2			
LP20947_DARCY-4X1-WWW-WHT	C19887_TINA-Y-WWW	4	2			
LP20748_DARCY-4X1-O-WHT	C18100_TINA-Y-O	4	2			

**Notes**

- PCB or heatsink level.
- LED location
- Ensure LED fitting from a product specific 3D model available from [www.ledil.com](http://www.ledil.com)
- For more details about installation please see LEDiL Installation Guide on [www.ledil.com](http://www.ledil.com)

<b>MECHANICAL DRAWING</b>		<b>LEDiL</b>
PRODUCT <b>DARCY-4x1</b>		
Plastic moulding general tolerances according to DIN 16901-130 and applies if not otherwise shown in the drawing. Silicone moulding general tolerances according to ISO 3302-1 Class M3 and applies if not otherwise shown in the drawing.	FIRST ANGLE PROJECTION: 	This drawing is the property of LEDiL Oy. It may not be copied or otherwise distributed without prior written permission from LEDiL Oy.
SCALE 1:1	WEIGHT -	A3 SHEET 1/1